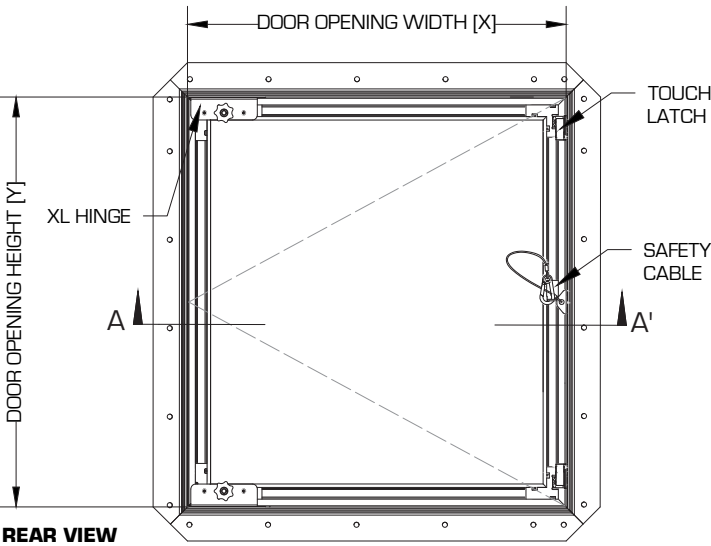
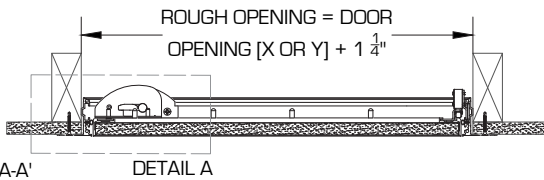


FRONT VIEW



REAR VIEW

STANDARD FEATURES

- Front-mount frame
- For openings in drywall walls and ceilings
- Concealed aluminum frame, hardware and mechanical touch latch
- Factory installed moisture/ mold resistant drywall inlay
- Frame acts as finishing bead
- 2mm perimeter gap
- Virtually invisible continuous finish
- Foam filled bulb gasket
- Good sound control with seal and mass of drywall inlay
- Fully removable door leaf with easy hinge release
- Concealed steel hinge with and safety cable

Standard Sizes

(Wide range of custom sizes and custom options available.)

Access Panel Size Clear Opening		Weight
Inch	mm	lbs
24 x 36"	610 x 914mm	21
36 x 36"	914 x 914mm	30
24 x 48"	610 x 1219mm	28
48 x 48"	1219 x 1219mm	49
30 x 60"	662 x 1524mm	40
30 x 72"	762 x 1829mm	46

BUY DIRECT from BAUCO for best pricing and shortest lead time.

Size
_____ " Width(X) x _____ " Length(Y)

Application
 Wall
 Ceiling

Latch Options
 (Standard) Mechanical Touch Latch
 Slotted Cam
 Torx Cam
 Keyed Lock

Inlay Options
 (Standard) Drywall
 Acoustic Board
 Plaster Board (to bond with plaster veneer)
 Plywood
 Double Layer Drywall

Time Saving Option
 BAUCO Paint-ready (Factory-primed door leaf. Ready to paint.)

Project: _____
 Client: _____
 Approved by: _____
 Date: _____

