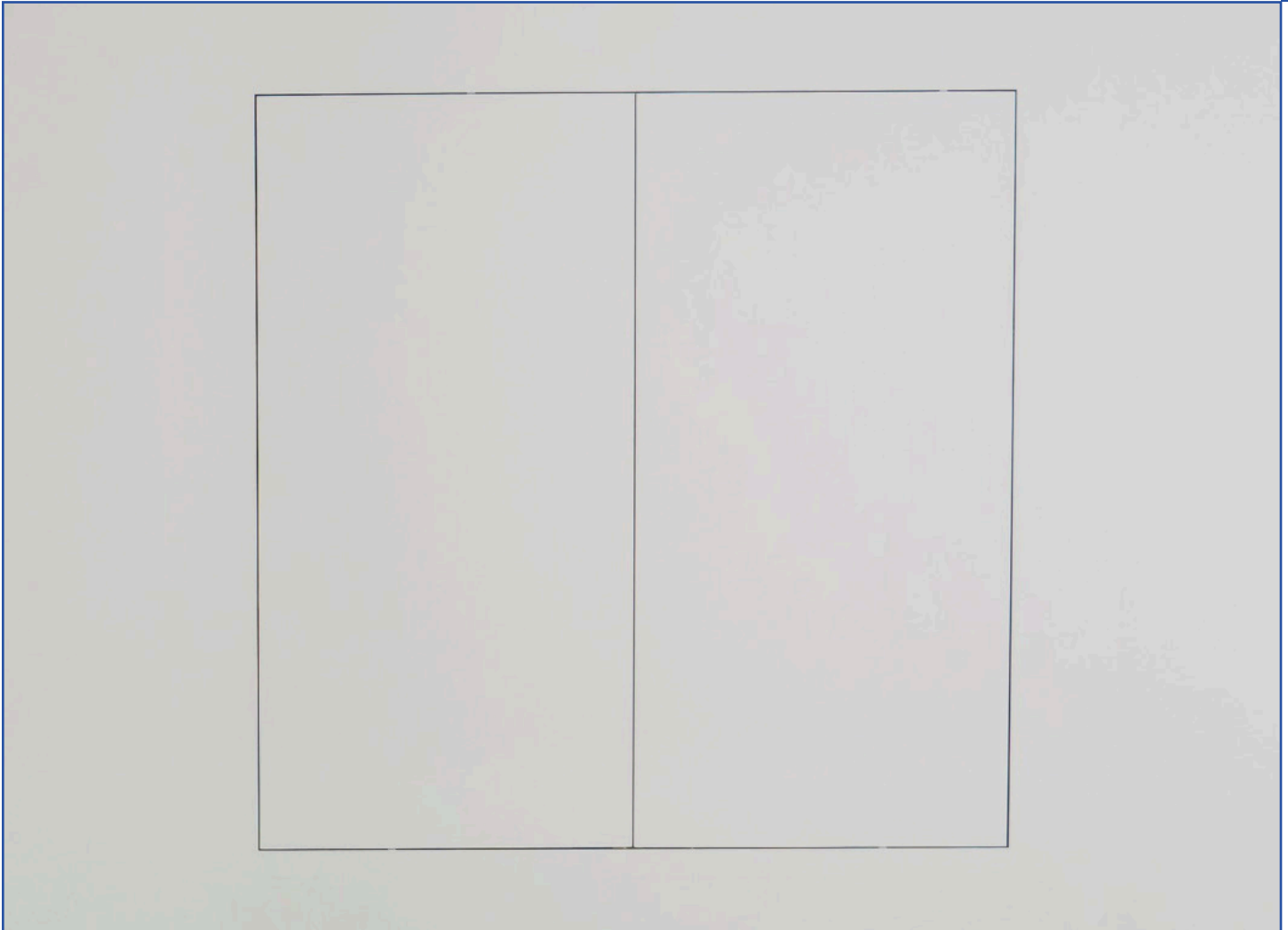


BAUCO XL

Drywall Access Panel with front-mount frame and fixed hinge



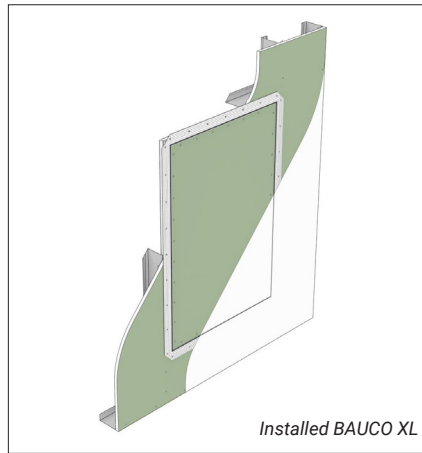
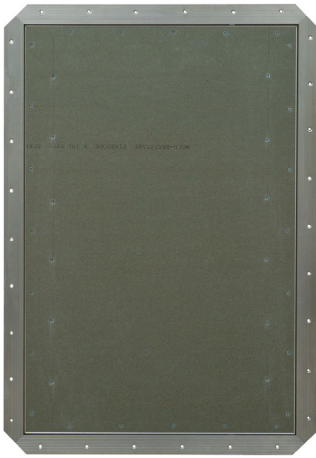
**You have access problems.
We have solutions.**

The BAUCO® XL is a front-mount drywall access panel with concealed hardware, extra rugged frame, solid finishing bead, and fixed hinge available in standard and custom sizes starting from 24" x 36". Ideal for large wall access openings. The BAUCO® XL provides the same virtually invisible finish as other BAUCO® drywall access panels.

BAUCO XL

Drywall Access Panel with front-mount frame and fixed hinge

PRODUCT INFORMATION



APPLICATIONS

- Access openings in drywall walls and ceiling
- Cleanest finish possible required
- Custom sizes, inlays and hardware available.
- Large doors provided in multi-leaf formats with no cross bars between leaves
- Custom sizes up to 22 sq. ft. per single leaf, up to 44sq. ft. double leaf
- Various treatments up to 1/8" above drywall surface possible (by others)
- Areas with sound transmission concerns
- Ideal for large wall access. Great for VTAC access
- Non-fire rated assemblies

DESCRIPTION

- Front-mount frame with integrated drywall bead
- Virtually invisible continuous finish
- Concealed aluminum frame and hardware
- 2mm gap between frame and door leaf
- Steel fixed virtual pivot hinge and safety cable
- Factory installed moisture/mold resistant drywall inlay
- Foam filled bulb gasket
- Maintains STC of standard wall/ceiling assemblies with air tight seal and mass of drywall inlay

SPECIFICATIONS

Frame: 6063-T6 aluminum frame with galvanized steel connectors and hardware

Door leaf: 6063-T6 aluminum frame and moisture and mold resistant drywall inlay

Latch: Concealed mechanical touch latch

Hinge: Concealed steel hinge with variable pivot point for 105° swing. Includes wire braid safety cable

Gasket: Foam filled bulb type perimeter gasket

Standard Latch

- Mechanical touch latch

Latch Options

- Keyed lock
- Cam latch (slotted or torx head)

Standard Finish

- Unfinished drywall inlay installed
- Ready to receive finish on site

Finish Option

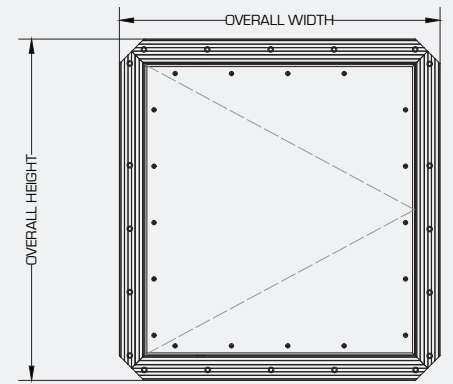
- BAUCO Paint-ready. Factory-primed door leaf. Ready to paint.

Standard Inlay

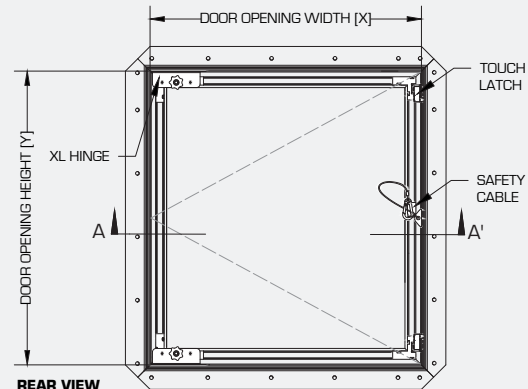
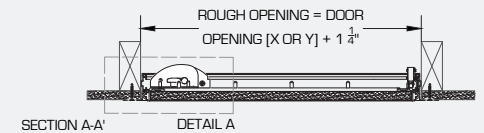
- Moisture and mold resistant drywall

Inlay Options

- Acoustic Board (for enhanced STC)
- Tile Backer
- Plaster Board (to bond with plaster veneer)
- Double Layer Drywall
- Plywood



FRONT VIEW



REAR VIEW

Standard Sizes

(Custom sizes available upon request)

Access Panel Size Clear Opening		Weight
Inch	mm	lbs
24 x 36"	610 x 914mm	21
36 x 36"	914 x 914mm	30
24 x 48"	610 x 1219mm	28
48 x 48"	1219 x 1219mm	49
30 x 60"	662 x 1524mm	40
30 x 72"	762 x 1829mm	46

Cut Opening in Drywall = Clear OPENING Size + 1 1/4"
Rough Framed Opening = Clear OPENING Size + 1 1/4"

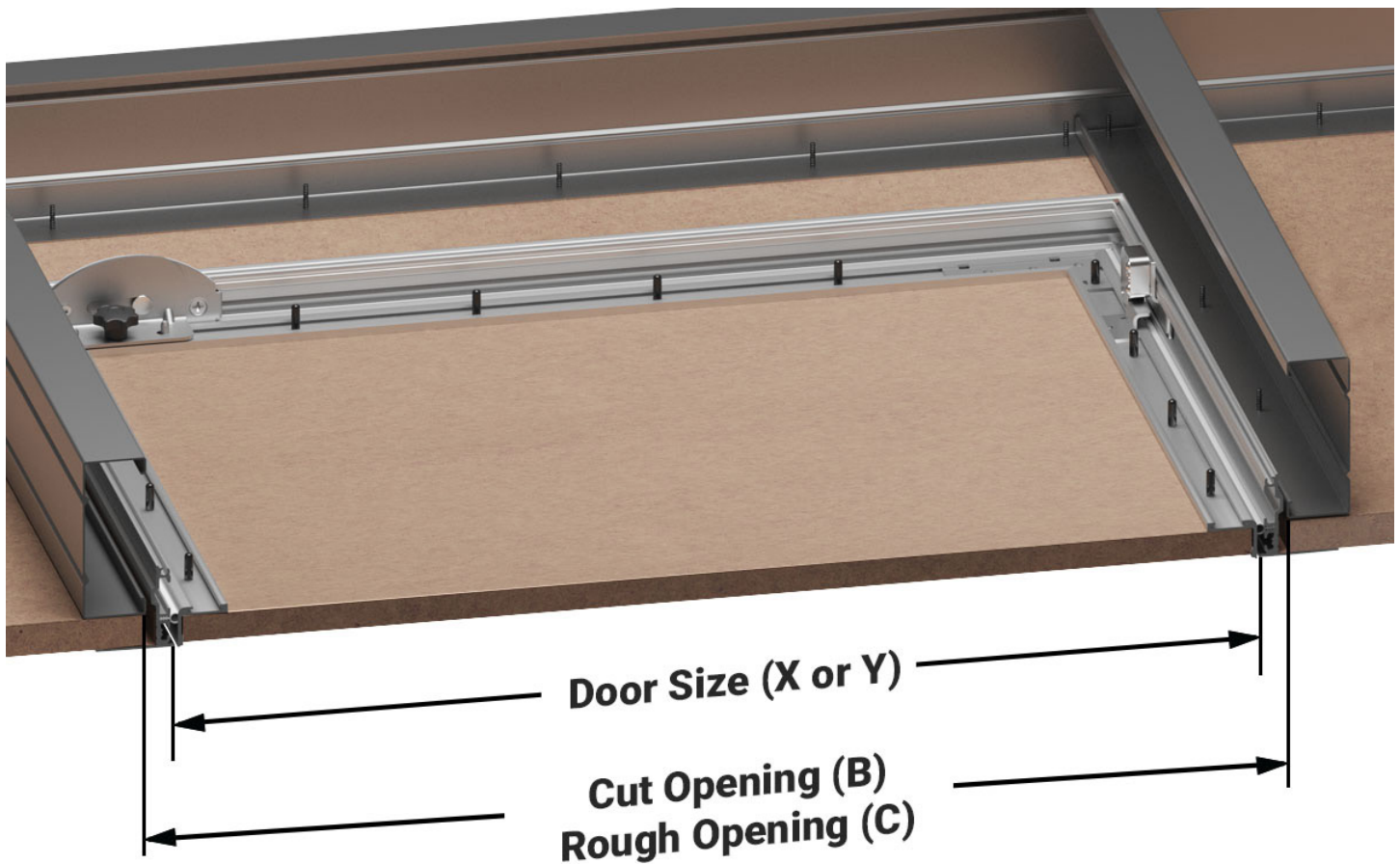
For detail, see submittal sheet.

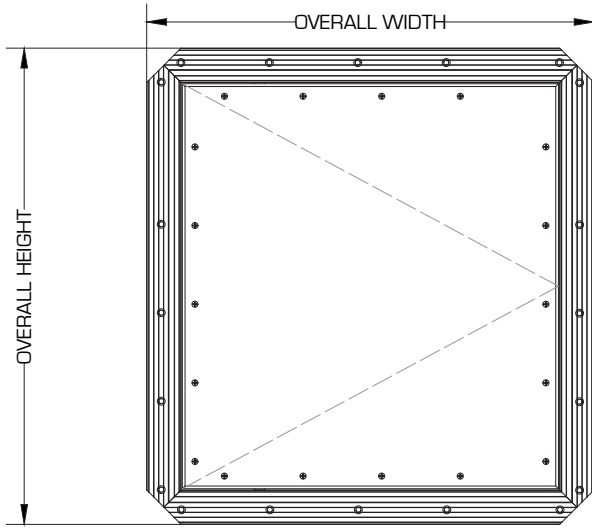
Wide range of custom sizes and custom options available. **Call or email to connect.**

BAUCO XL

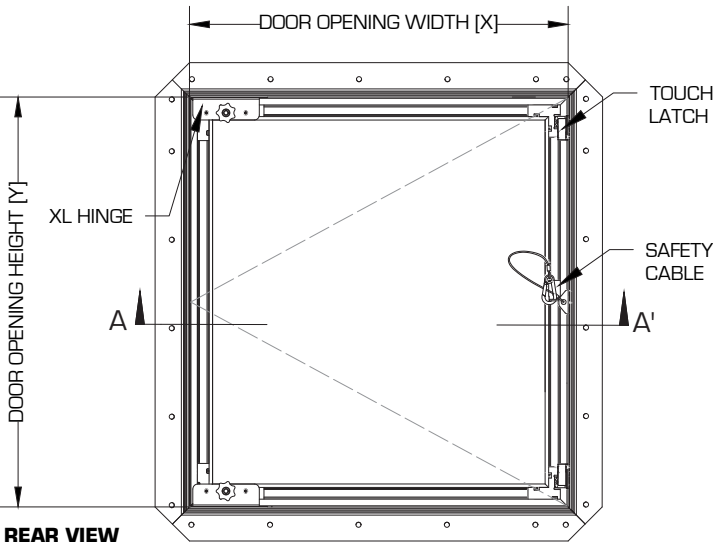
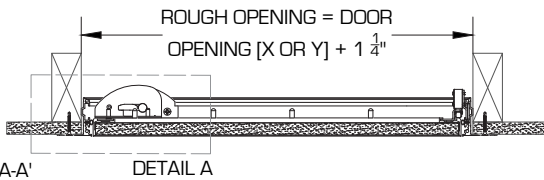
Standard Sizes

Nominal Size	Door Size (X/Y)	Cut Opening in Drywall (B)	Weight
24 x 36"	24 x 36" (610 x 914mm)	25- $\frac{1}{4}$ x 37- $\frac{1}{4}$ " (641 x 946mm)	21lbs (9.5kg)
36 x 36"	36 x 36" (914 x 914mm)	37- $\frac{1}{4}$ x 37- $\frac{1}{4}$ " (946 x 946mm)	30lbs (13.6kg)
24 x 48"	24 x 48" (610 x 1219mm)	25- $\frac{1}{4}$ x 49- $\frac{1}{4}$ " (641 x 1251mm)	28lbs (12.7kg)
48 x 48"	48 x 48" (1219 x 1219mm)	49- $\frac{1}{4}$ x 49- $\frac{1}{4}$ " (1251 x 1251mm)	49lbs (22.2kg)
30 x 60"	30 x 60" (762 x 1524mm)	31- $\frac{1}{4}$ x 61- $\frac{1}{4}$ " (794 x 1556mm)	40lbs (18.1kg)
30 x 72"	30 x 72" (762 x 1829mm)	31- $\frac{1}{4}$ x 73- $\frac{1}{4}$ " (794 x 1861mm)	46lbs (20.9kg)





FRONT VIEW



REAR VIEW

STANDARD FEATURES

- Front-mount frame
- For openings in drywall walls and ceilings
- Concealed aluminum frame, hardware and mechanical touch latch
- Factory installed moisture/ mold resistant drywall inlay
- Frame acts as finishing bead
- 2mm perimeter gap
- Virtually invisible continuous finish
- Foam filled bulb gasket
- Good sound control with seal and mass of drywall inlay
- Fully removable door leaf with easy hinge release
- Concealed steel hinge with and safety cable

Standard Sizes

(Wide range of custom sizes and custom options available.)

Access Panel Size Clear Opening		Weight
Inch	mm	lbs
24 x 36"	610 x 914mm	21
36 x 36"	914 x 914mm	30
24 x 48"	610 x 1219mm	28
48 x 48"	1219 x 1219mm	49
30 x 60"	662 x 1524mm	40
30 x 72"	762 x 1829mm	46

BUY DIRECT from BAUCO for best pricing and shortest lead time.

Size
_____ " Width(X) x _____ " Length(Y)

Application
 Wall
 Ceiling

Latch Options
 (Standard) Mechanical Touch Latch
 Slotted Cam
 Torx Cam
 Keyed Lock

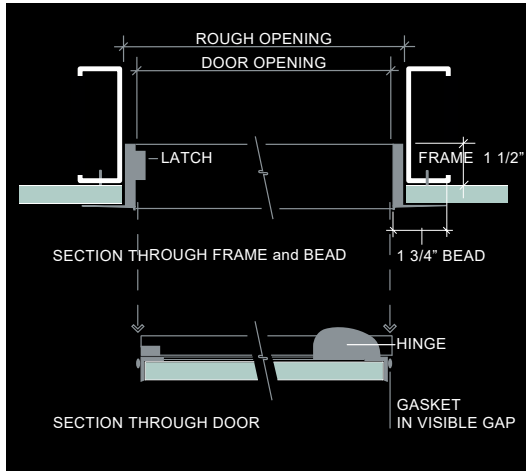
Inlay Options
 (Standard) Drywall
 Acoustic Board
 Plaster Board (to bond with plaster veneer)
 Plywood
 Double Layer Drywall

Time Saving Option
 BAUCO Paint-ready (Factory-primed door leaf. Ready to paint.)

Project: _____
 Client: _____
 Approved by: _____
 Date: _____



1: Prepare the Rough Opening



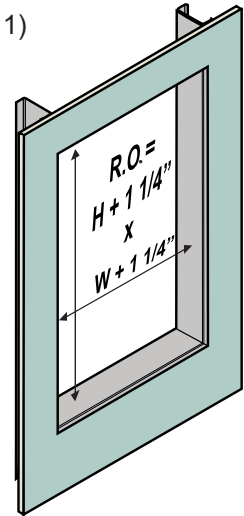
RO Dimension =

Door Size + 1 1/4"

For Example: Access Panel
60" tall x 30" wide in wall,
the R.O. must be 61 1/4" tall
x 31 1/4" wide.

- Ensure the framing is square, level and plumb.

(Fig. 1)



2: Position, Align and Secure in R.O.

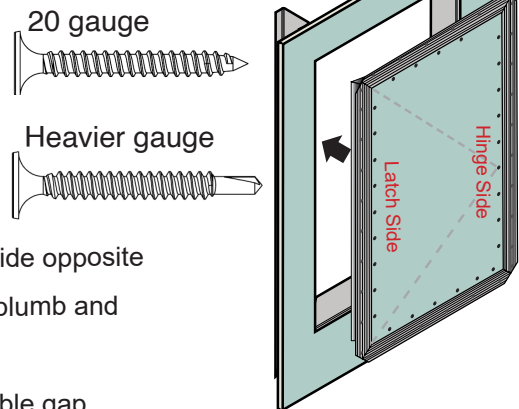
- Place the closed access panel into the R.O to test the fit.
- Door can be used for either left or right swing.
- Take care not to strip the fastener hole in the framing.
- Step 1: Start by placing the first fastener at top end of the side opposite the hinge (latch side (A) Fig.3). Then align that edge to be plumb and secure it from top to bottom with fasteners.
- Step 2: Next lift lower end of the hinge side (Fig.3) until visible gap (---) looks evenly spaced (2mm or 5/64") all around. Fix with first fastener on hinge side (B). Then place fasteners all along hinge side (B).
- Finish by placing fasteners in all holes at top and bottom of opening.
- Open door leaf and check for smooth function.

*Finishing bead should sit snug/tight against drywall.

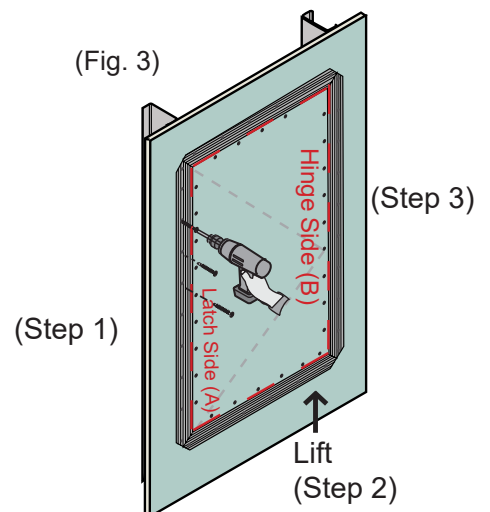
Important Notes:

- Install fasteners to all countersunk holes
- Re-tighten all fasteners in a 2nd pass as needed

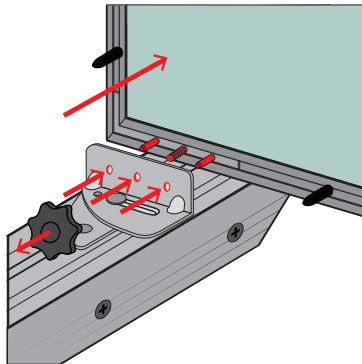
(Fig. 2)



(Fig. 3)



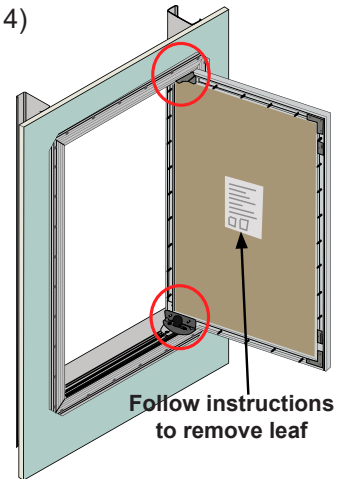
4: Remove Door Leaf for Finishing



(Fig. 5)

- Open door leaf and locate black knobs at top and bottom hinge. (Fig. 4)
- Loosen the black knobs and carefully disengage the door leaf from the hinge. (Fig. 5)

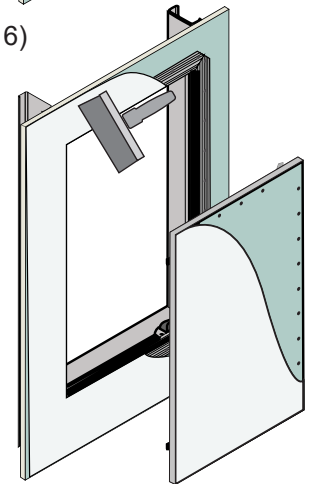
(Fig. 4)



(Fig. 6)

5: Apply Filler Compound to Outer Frame

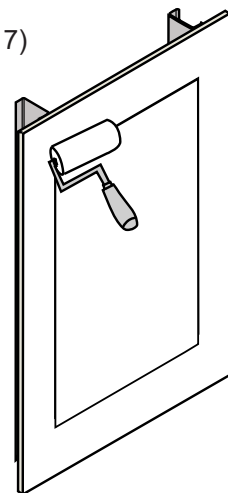
- Apply a first coat of drywall compound to the bead. A setting-type compound is recommended for the first coat.
- Note that it is not necessary to tape the transition from the aluminum bead to the drywall.
- Let dry, sand, and apply more coats of filler until the desired finish is achieved. (Fig. 6)
- Apply drywall compound to the door leaf.
- Let dry, sand and apply subsequent coats of filler until the desired finish is achieved.
- Do not leave compound above the leading edge of the frame.



6: Clean Frame and Gasket

- Use a wet cloth or gentle sanding sponge to remove any excess mud from aluminum door frame, gasket, and door leaf.
- Tip: Apply silicon lubricant to the gasket for superior operation.

(Fig. 7)



7: Re-hang Door Leaf and Paint

- Reinstalling the door leaf to the outer frame is the reverse of the removal. Simply position the locating pins of the door leaf into the hinges and fasten the threaded knobs.
- Paint surface with short pile roller (Fig. 7). Avoid filling visible gap (2mm) with paint.