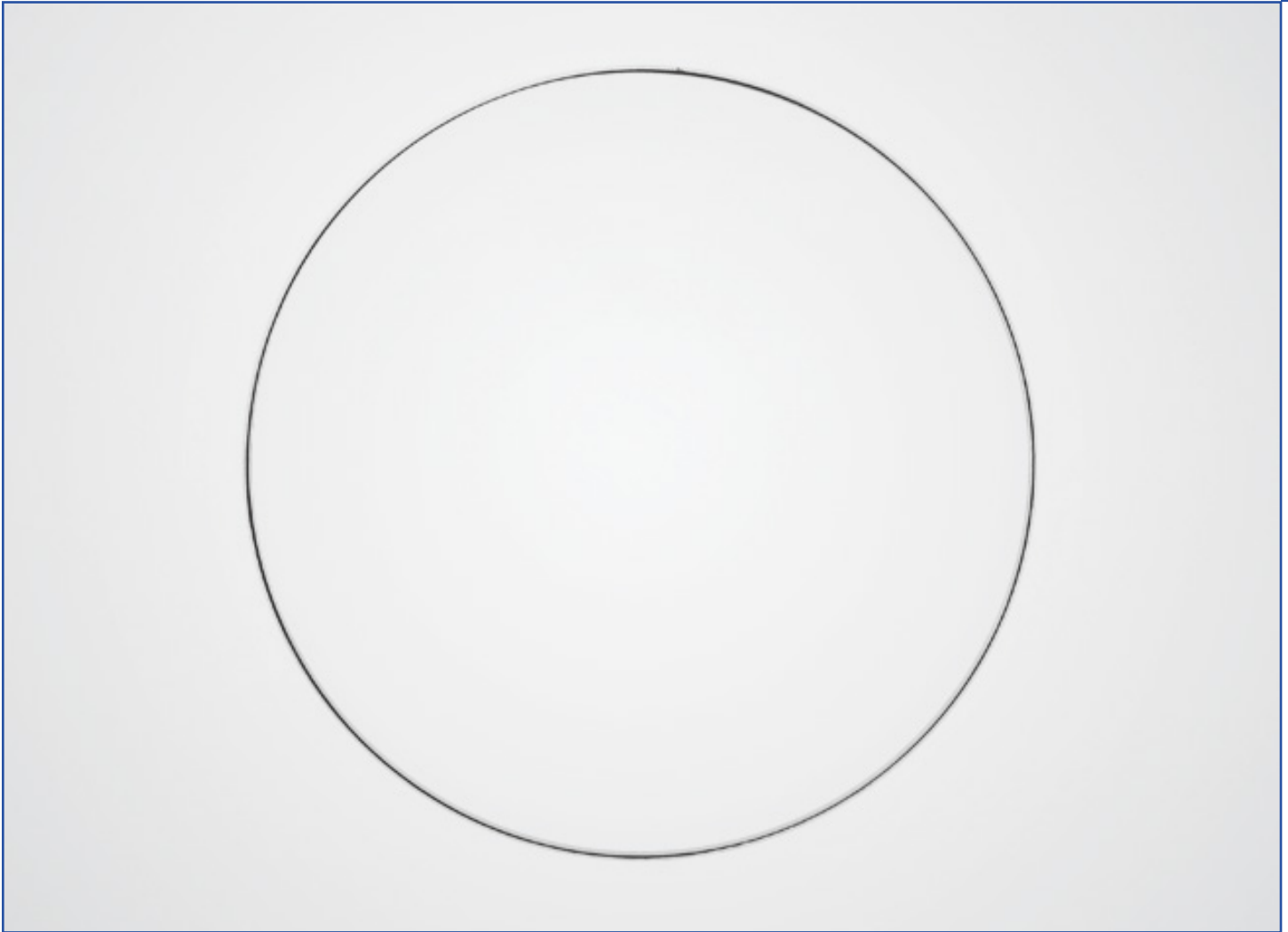


# BAUCO Rondo

Drywall Access Panel with rear-mount frame



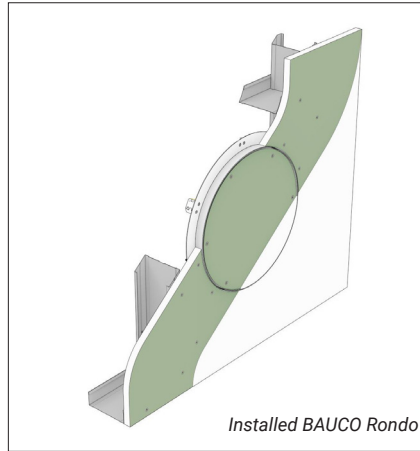
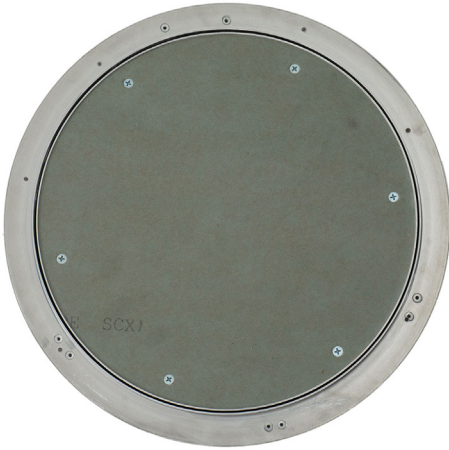
**You have access problems.  
We have solutions.**

The BAUCO® Rondo is a circular drywall access panel based on the design principles of the square BAUCO® plus II model. The concealed hardware lets it seamlessly blend with the surrounding ceiling. Once installed and finished, a clean 1/16" perimeter gap is all that remains visible.

# BAUCO Rondo

Circular Drywall Access Panel with rear-mount frame

## PRODUCT INFORMATION



### APPLICATIONS

- Access openings in 1/2" (12.7 mm) or 5/8" (15.9 mm) drywall ceilings
- Cleanest finish possible required
- Three standard sizes and latch and inlay options
- Wide variety of surface finishes such as paint, wallpaper or facing materials such as tile and millwork (by others)
- Beneficial in designs with curvilinear elements
- Non-fire rated assemblies

### DESCRIPTION

- Rear-mount frame
- Concealed frame, hardware and latch
- Factory installed drywall inlay
- Frame acts as finishing bead
- Virtually invisible finishing
- 1/16" perimeter gap
- Fully removable door leaf
- Free-pivot hinge and safety cable

### SPECIFICATIONS

**Frame:** 6063-T6 aluminum frame with galvanized steel hardware

**Door leaf:** 6063-T6 aluminum frame and moisture and mold resistant drywall inlay

**Latch:** Concealed mechanical touch latch

**Hinge:** 16 gauge galvanized steel free pivot hinge

**Gasket:** Closed cell foam perimeter gasket

#### Standard Latch

- Mechanical touch latch

#### Latch Options

- Keyed lock
- Cam latch (slotted or torx head)

#### Standard Finish

- Unfinished
- Ready to receive a wide range of surface treatments on site

#### Finish Option

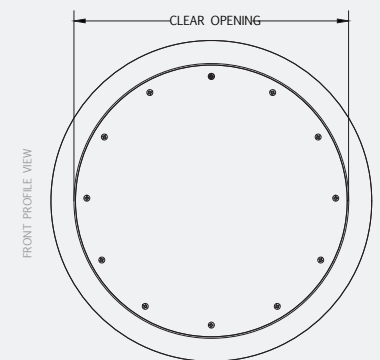
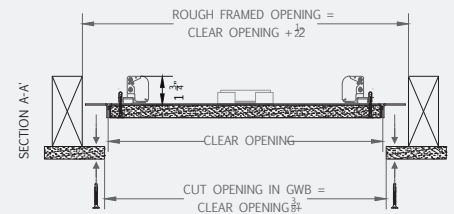
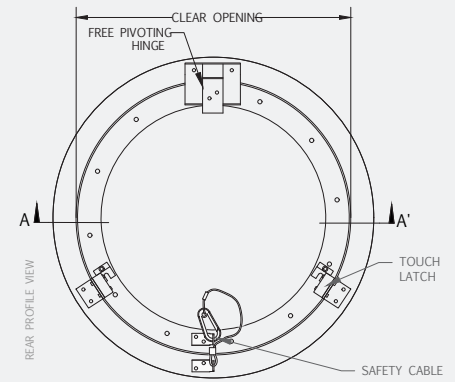
- BAUCO Paint-ready. Factory-primed door leaf. Ready to paint.

#### Standard Inlay

- Moisture and mold resistant drywall

#### Inlay Options

- Acoustic Board (for enhanced STC)
- Tile Backer
- Plaster Board (to bond with plaster veneer)
- Double Layer Drywall
- Plywood



### Standard Sizes

Access Panel Size Clear Opening		Weight
Inch (nominal)	mm (actual)	lbs
12"	300mm	3
16"	400mm	5
24"	600mm	12

**Cut Opening in Drywall** = Clear OPENING Size + 3/8"

**Rough Framed Opening** = Clear OPENING Size + 2 1/2"

For detail, see submittal sheet.

Available in three sizes 12", 16" and 24" diameter.

**Call or email to connect.**



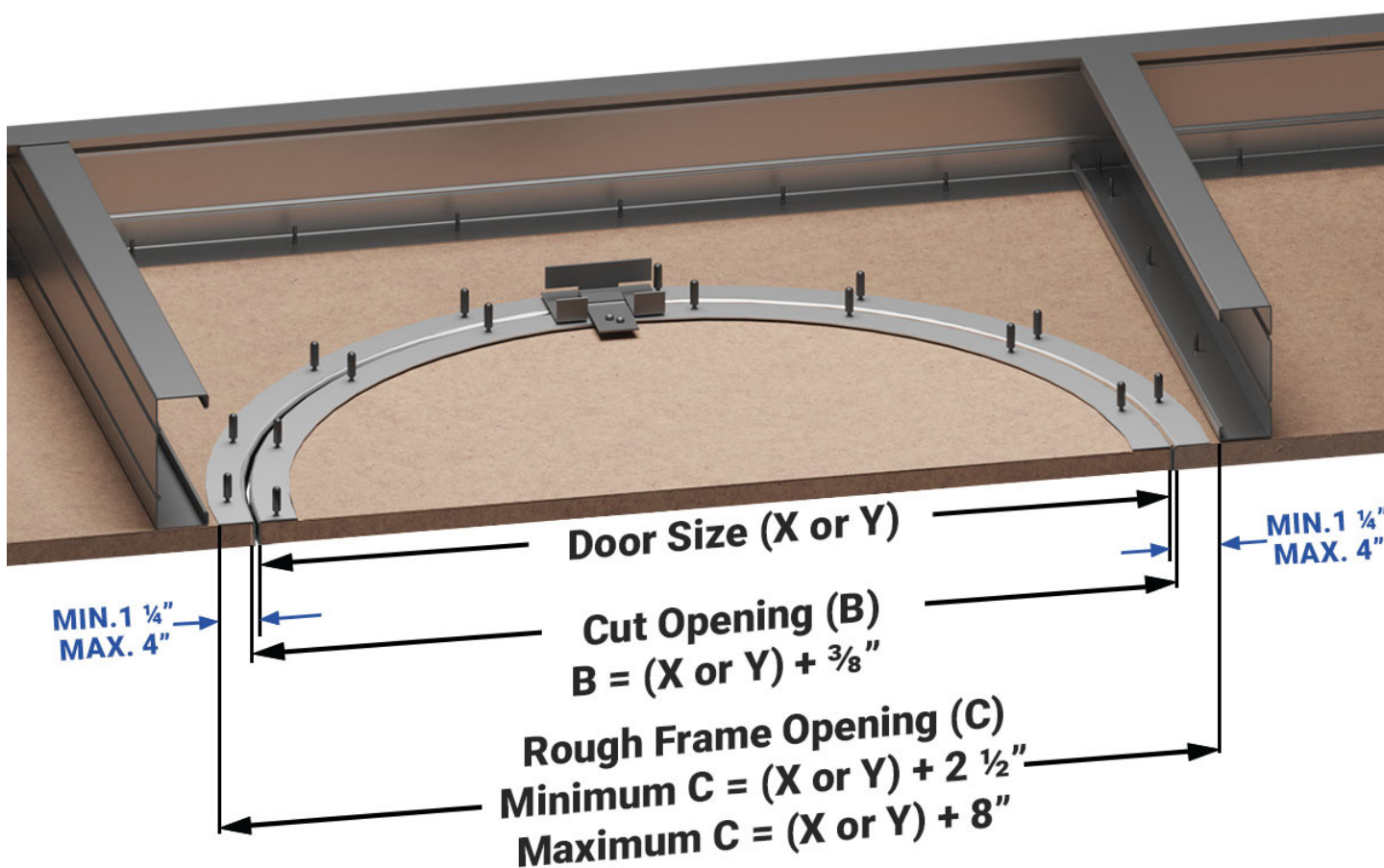
**BUY DIRECT from BAUCO for best pricing and shortest lead time.**  
 Quotes within 24 hours. Average custom production time = 4 days.  
 Product specialists standing by for consultation and orders.

1.877.592.0033 | info@bauco.com | bauco.com  
 834 Devonshire Road, Victoria, BC, Canada V9A 4T4

# BAUCO Rondo

Standard Sizes

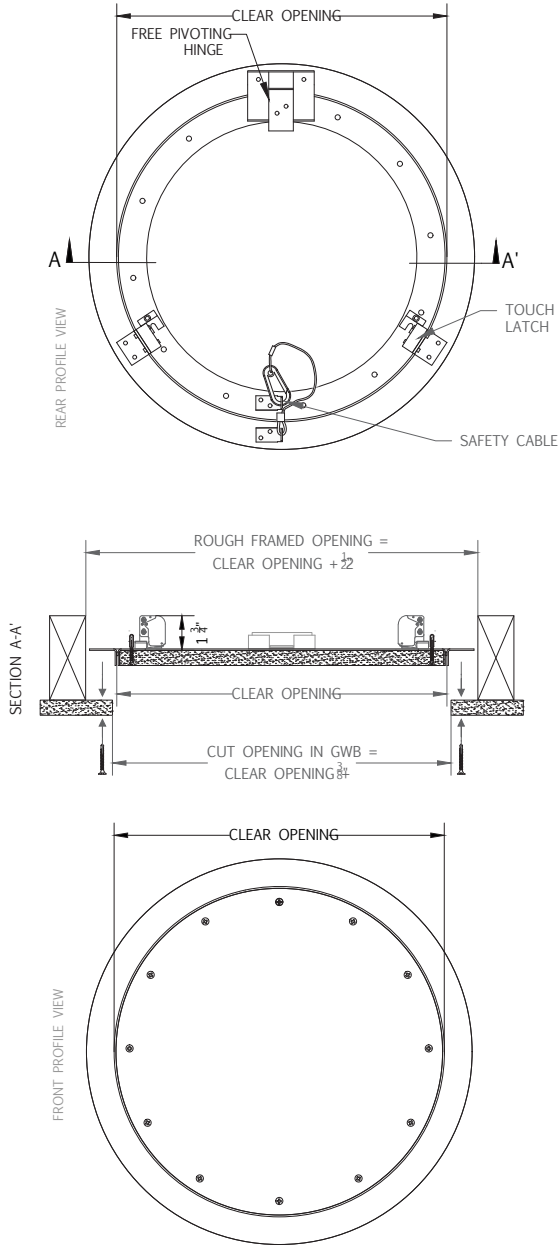
Nominal Size	Door Size (A) Diameter	Cut Opening In Drywall (B) Diameter	Minimum Rough Frame Opening (C)	Weight
12"	11-7/8" (300mm)	12-1/8" (308mm)	12-1/4 x 12-1/4" (311 x 311mm)	3lbs (1.4kg)
16"	15-3/4" (400mm)	16" (406mm)	18-1/4 x 18-1/4" (464 x 464mm)	5lbs (2.3kg)
24"	23-5/8" (600mm)	23-7/8" (606mm)	26-3/8 x 26-3/8" (670 x 670mm)	12lbs (5.4kg)



# BAUCO Rondo

Circular Drywall Access Panel with rear-mount frame

Submittal Sheet



## STANDARD FEATURES

- Rear-mount frame
- For openings in 1/2" (12.7 mm) or 5/8" (15.9 mm) drywall ceilings
- Concealed aluminum frame, hardware and mechanical touch latch
- Factory installed moisture/ mold resistant drywall inlay
- Frame acts as finishing bead
- 1/16" perimeter gap
- Virtually invisible finishing
- Continuous perimeter gasket
- Fully removable door leaf
- Free-pivot hinge and safety cable

## Standard Sizes

Available in three sizes 12", 16" and 24" diameter.

Access Panel Size Clear Opening		Weight
Inch (nominal)	mm (actual)	lbs
12"	300mm	3
16"	400mm	5
24"	600mm	12

**BUY DIRECT from BAUCO for best pricing and shortest lead time.**

### Size

- 12" Diameter
- 16" Diameter
- 24" Diameter

### Thickness

- 1/2"
- 5/8"

### Latch Options

- (Standard) Mechanical Touch Latch
- Slotted Cam
- Torx Cam
- Keyed Lock

### Inlay Options

- Acoustic Board
- Tile Backer
- Plaster Board (to bond with plaster veneer)
- Double Layer Drywall
- Plywood

### Time Saving Option

- BAUCO Paint-ready (Factory-primed door leaf. Ready to paint.)

Project: \_\_\_\_\_  
 Client: \_\_\_\_\_  
 Approved by: \_\_\_\_\_  
 Date: \_\_\_\_\_



1.877.592.0033 | info@bauco.com | bauco.com  
 834 Devonshire Road Victoria, BC, Canada V9A 4T4

# BAUCO® Rondo

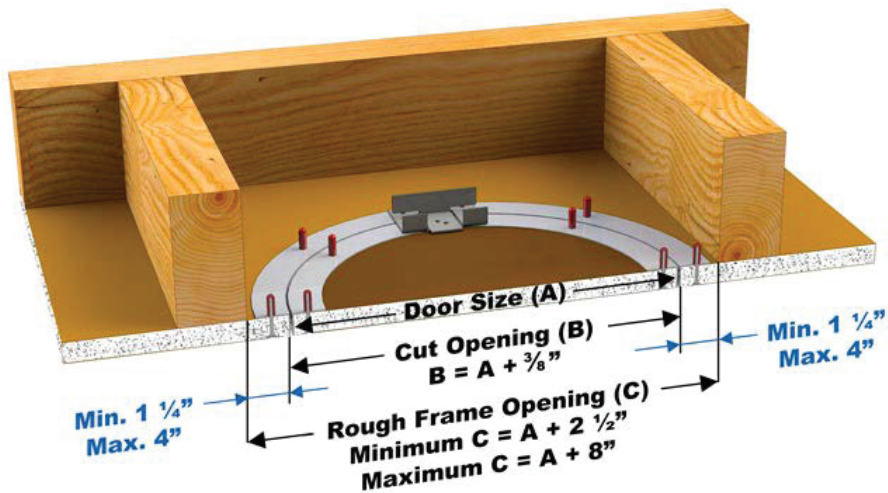
## Installation Instructions

Watch our  
installation  
video on



SCAN ME

### Framing Guide



1. Frame/block ceiling as outlined above. Take measurements for reference to centre of circle.

2. Separate outside frame from access panel assembly. Open touch latches, unhook safety cable, and pull out the door leaf.

Tip: Place outer frame in ceiling area on top of joist if possible for later retrieval.

3. Drywall ceiling. Transfer circle centre point.

4. Cut out opening in drywall in appropriate spot. Remove any frayed edges and debris from back of drywall. If outside frame was stashed in ceiling before drywall installed, locate this now. If not, cut two notches 1" deep at opposite points on the circle so outside frame can be passed through the opening.

5. Pull frame into place against the back of the drywall ensuring that the mounting flange contacts solidly against the surface of the back of drywall. The frame edge should protrude slightly beyond the face of the drywall.

6. Holding the frame firmly in place, attach with metal cutting drywall screws. It is very important to place screws on either side of hinge bracket and touch latch brackets without screwing through the steel component. The maximum distance between screws is 4"

7. Apply filler compound up to rim of access panel frame (7A). Fill access panel door leaf up to the top of metal frame (7B).. Frame height is height of finish. Ensure all gaps tightly filled. Let dry, sand, and repeat until desired finish is achieved.

8. Clean excess filler and dust from access panel frames (8A). Prime and paint the same as surrounding ceiling area (8B).

