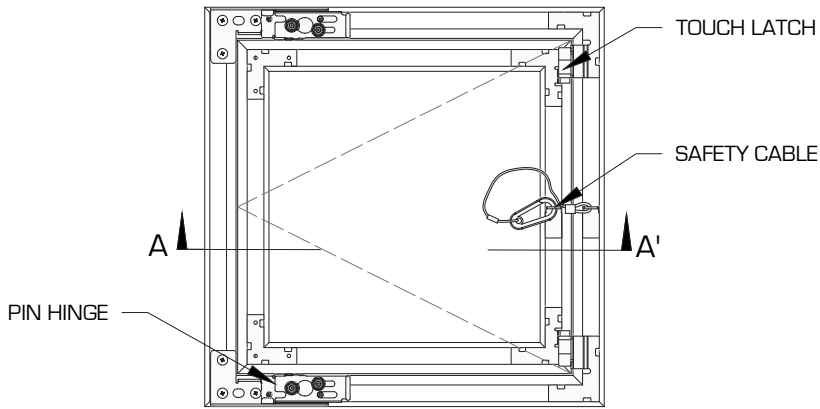
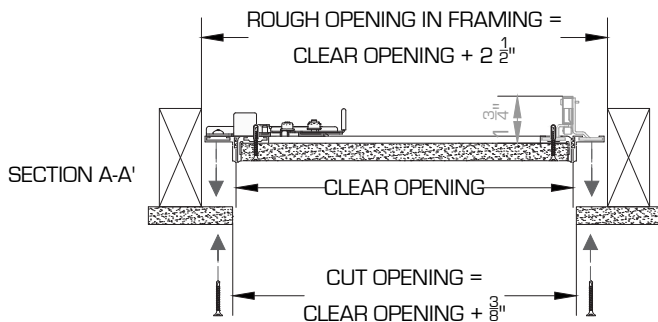


FRONT VIEW



REAR VIEW



STANDARD FEATURES

- Rear-mount frame
- For openings in 1/2"(12.7 mm) or 5/8"(15.9 mm) drywall and ceiling
- Concealed aluminum frame, hardware and mechanical touch latch
- Factory installed moisture/ mold resistant drywall inlay
- Frame acts as finishing bead
- 1/16" perimeter gap
- Virtually invisible continuous finish
- EPDM rubber gasket
- Good sound control with seal and mass of drywall inlay
- Fully removable door leaf with clip action hinge release
- Steel single pivot pin hinge and safety cable

Standard Sizes

(Custom sizes from 8 x 8" to maximum 24 x 36". For larger openings use double door design or the BAUCO XL or BAUCO Plus II.)

Access Panel Size/ Clear Opening		Weight	
Inch	mm	lbs-1/2"	lbs-5/8"
8 x 8"	203 x 203mm	2.5	2.9
10 x 10"	254 x 254mm	3.1	3.8
12 x 12"	305 x 305mm	3.8	4.7
14 x 14"	356 x 356mm	4.5	5.8
16 x 16"	406 x 406mm	5.3	7
18 x 18"	457 x 457mm	6.2	8.3
20 x 20"	508 x 508mm	7.2	9.8
24 x 24"	610 x 610mm	9.4	12.9
24 x 36"	610 x 914mm	12.8	18.2

BUY DIRECT from BAUCO for best pricing and shortest lead time.

Size
____ " Width(X) x ____ " Length(Y)

Thickness
 1/2"
 5/8"

Application
 Wall
 Ceiling

Latch Options
 (Standard) Mechanical Touch Latch
 Slotted Cam
 Torx Cam
 Keyed Lock

Inlay Options
 (Standard) Drywall
 Acoustic Board
 Plaster Board (to bond with plaster veneer)
 Plywood
 Double layer drywall

Time Saving Option
 BAUCO Paint-ready (Factory-primed door leaf. Ready to paint.)

Project: _____

Client: _____

Approved by: _____

Date: _____

