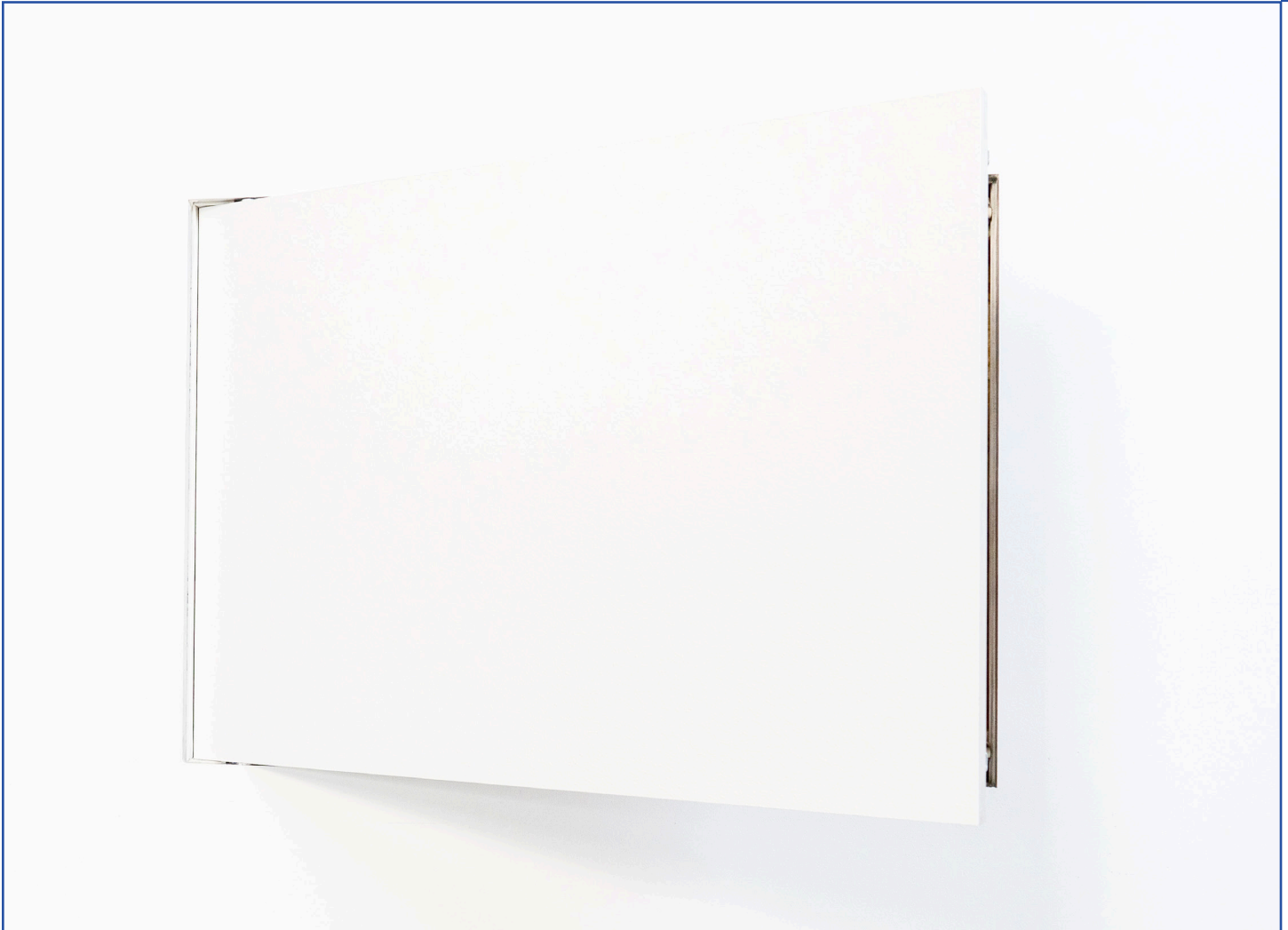


BAUCO Plus

Drywall Access Panel with rear-mount frame and fixed hinge



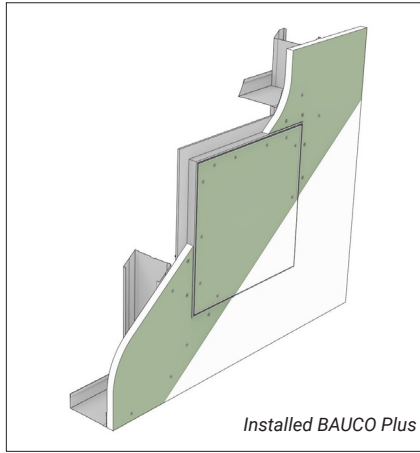
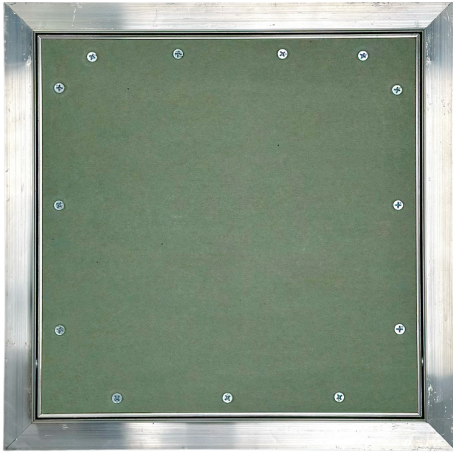
**You have access problems.
We have solutions.**

When your project requires a compact access panel for frequent use or a hard-to-reach location like high up on a wall, the new and improved BAUCO® Plus delivers safe, convenient access to shut-off valves, plumbing connections, and more. We've got your access problems covered!

BAUCO Plus

Drywall Access Panel with rear-mount frame and fixed hinge

PRODUCT INFORMATION



APPLICATIONS

- Access openings in 1/2" (12.7 mm) or 5/8" (15.9 mm) drywall walls and ceiling
- Cleanest finish possible required
- Standard and custom sizing and other customizations
- Ideal for access points that are frequently used or above reach. Fixed hinge provides ease of use and improved safety.
- Non-fire rated assemblies

DESCRIPTION

- Rear-mount frame
- Virtually invisible continuous finish with concealed frame, hardware and 1/16" perimeter gap
- Factory installed drywall inlay
- Frame acts as finishing bead
- Fully removable door leaf with clip action hinge release
- Fixed steel pin hinge and safety cable

SPECIFICATIONS

Materials: 6063-T6 aluminum frame with galvanized steel connectors and hardware

Hinge: Galvanized steel single pivot pin hinge with braided steel safety cable

Door leaf: 6063-T6 aluminum frame and moisture and mold resistant drywall inlay

Gasket: EPDM rubber perimeter gasket

Latch: Concealed mechanical touch latch

Standard Latch

- Mechanical touch latch

Standard Finish

- Unfinished drywall inlay installed
- Ready to receive finish on site

Latch Options

- Keyed lock
- Cam latch (slotted or torx head)

Finish Option

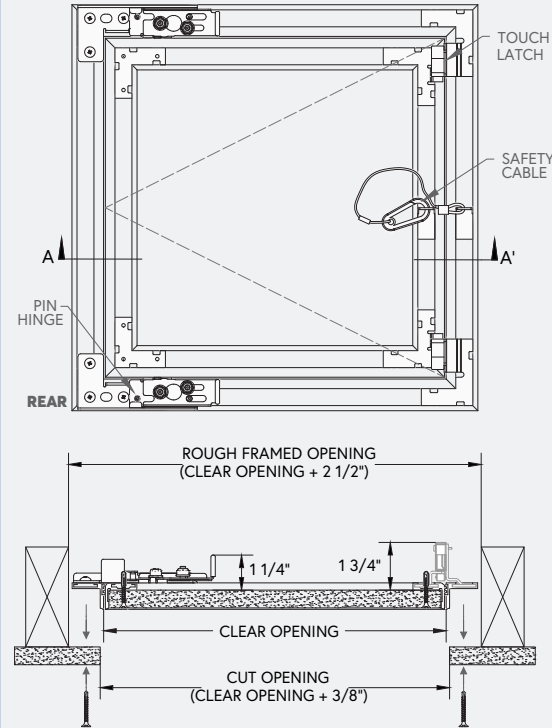
- BAUCO Paint-ready. Factory-primed door leaf. Ready to paint.

Standard Inlay

- Moisture- and mold-resistant drywall

Inlay Options

- Acoustic Board (for enhanced STC)
- Tile Backer
- Plaster Board (to bond with plaster veneer)
- Double Layer Drywall
- Plywood



Standard Sizes

(Custom sizes available upon request)

Access Panel Size/ Clear Opening		Weight	
Inch	mm	lbs-1/2"	lbs-5/8"
8 x 8"	203 x 203mm	2.5	2.9
10 x 10"	254 x 254mm	3.1	3.8
12 x 12"	305 x 305mm	3.8	4.7
14 x 14"	356 x 356mm	4.5	5.8
16 x 16"	406 x 406mm	5.3	7
18 x 18"	457 x 457mm	6.2	8.3
20 x 20"	508 x 508mm	7.2	9.8
24 x 24"	610 x 610mm	9.4	12.9
24 x 36"	610 x 914mm	12.8	18.2

Cut Opening in Drywall = Clear OPENING Size + 3/8"

Rough Framed Opening = Clear OPENING Size + 2 1/2"

For detail, see submittal sheet.

Custom sizes from 8 x 8" to maximum 24 x 36" per door leaf. For larger openings use double door design or the BAUCO XL or BAUCO Plus II.

Call or email to connect.



BUY DIRECT from BAUCO for best pricing and shortest lead time.

Quotes within 24 hours. Average custom production time = 4 days.

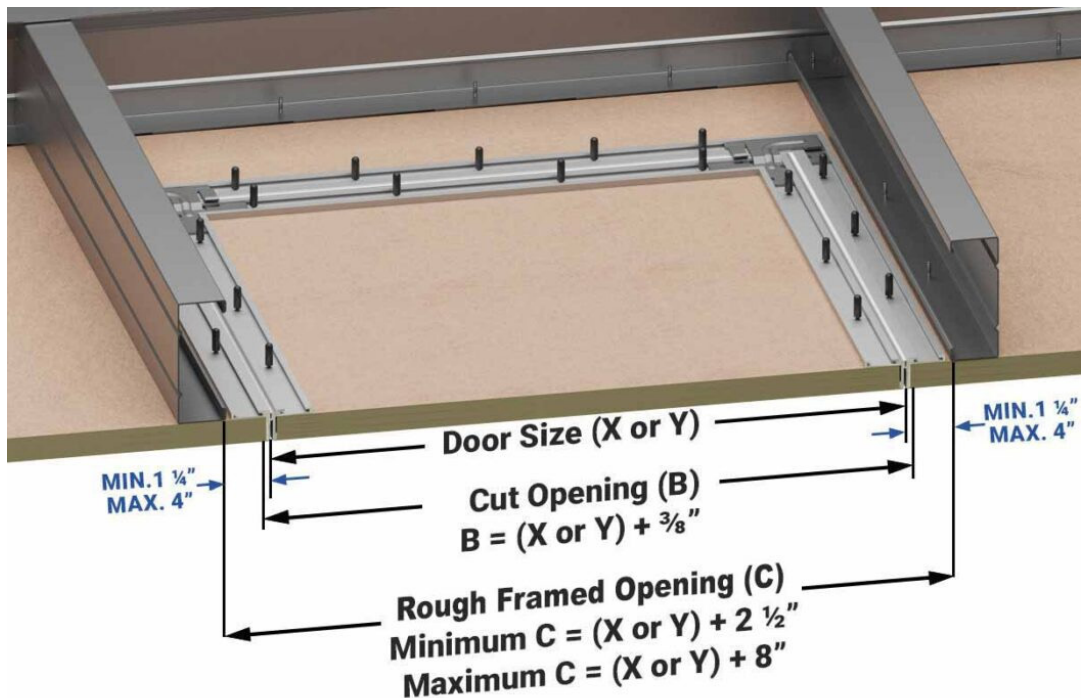
Product specialists standing by for consultation and orders.

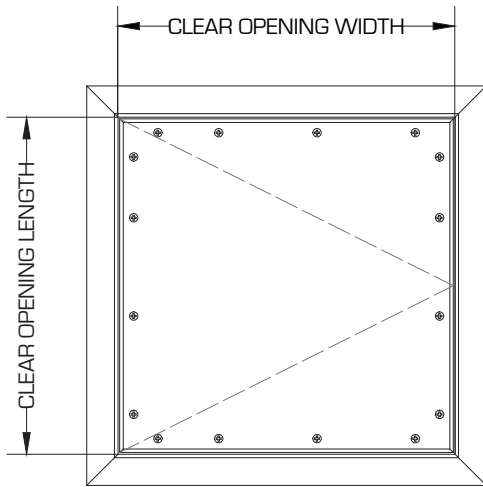
1.877.592.0033 | info@bauco.com | bauco.com
834 Devonshire Road, Victoria, BC, Canada V9A 4T4

BAUCO Plus

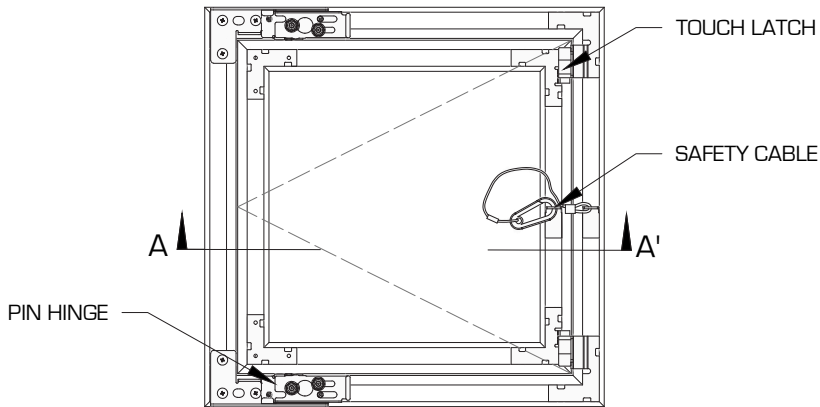
Standard Sizes

Nominal Size	Door Size (X/Y)	Cut Opening in Drywall (B)	Minimum Rough Framed Opening (C)	Weight
8 x 8"	8 x 8" (203 x 203mm)	8- ³ / ₈ " x 8- ³ / ₈ " (213 x 213mm)	10- ¹ / ₂ " x 10- ¹ / ₂ " (267 x 267mm)	3lbs (1.4kg)
10 x 10"	10 x 10" (254 x 254mm)	10- ³ / ₈ " x 10- ³ / ₈ " (264 x 264mm)	12- ¹ / ₂ " x 12- ¹ / ₂ " (318 x 318mm)	4lbs (1.8kg)
12 x 12"	12 x 12" (305 x 305mm)	12- ³ / ₈ " x 12- ³ / ₈ " (314 x 314mm)	14- ¹ / ₂ " x 14- ¹ / ₂ " (368 x 368mm)	5lbs (1.8kg)
14 x 14"	14 x 14" (356 x 356mm)	14- ³ / ₈ " x 14- ³ / ₈ " (365 x 365mm)	16- ¹ / ₂ " x 16- ¹ / ₂ " (419 x 419mm)	6lbs (2.7kg)
16 x 16"	16 x 16" (406 x 406mm)	16- ³ / ₈ " x 16- ³ / ₈ " (416 x 416mm)	18- ¹ / ₂ " x 18- ¹ / ₂ " (470 x 470mm)	7lbs (3.2kg)
18 x 18"	18 x 18" (457 x 457mm)	18- ³ / ₈ " x 18- ³ / ₈ " (467 x 467mm)	20- ¹ / ₂ " x 20- ¹ / ₂ " (521 x 521mm)	8lbs (3.6kg)
20 x 20"	20 x 20" (508 x 508mm)	20- ³ / ₈ " x 20- ³ / ₈ " (518 x 518mm)	22- ¹ / ₂ " x 22- ¹ / ₂ " (571 x 571mm)	10lbs (4.5kg)
24 x 24"	24 x 24" (610 x 610mm)	24- ³ / ₈ " x 24- ³ / ₈ " (619 x 619mm)	26- ¹ / ₂ " x 26- ¹ / ₂ " (673 x 673mm)	13lbs (5.9kg)
24 x 36"	24 x 36" (610 x 914mm)	24- ³ / ₈ " x 36- ³ / ₈ " (619 x 924mm)	26- ¹ / ₂ " x 38- ¹ / ₂ " (673 x 978mm)	18lbs (8.2kg)

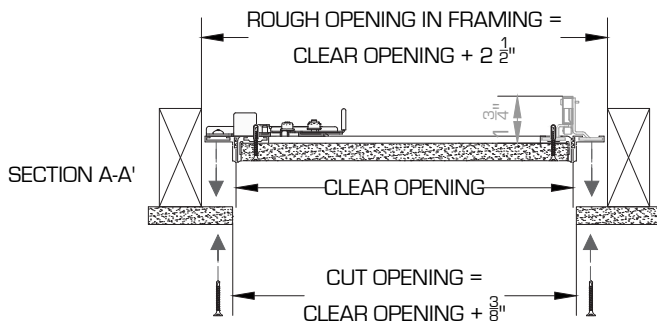




FRONT VIEW



REAR VIEW



STANDARD FEATURES

- Rear-mount frame
- For openings in 1/2"(12.7 mm) or 5/8"(15.9 mm) drywall and ceiling
- Concealed aluminum frame, hardware and mechanical touch latch
- Factory installed moisture/ mold resistant drywall inlay
- Frame acts as finishing bead
- 1/16" perimeter gap
- Virtually invisible continuous finish
- EPDM rubber gasket
- Good sound control with seal and mass of drywall inlay
- Fully removable door leaf with clip action hinge release
- Steel single pivot pin hinge and safety cable

Standard Sizes

(Custom sizes from 8 x 8" to maximum 24 x 36". For larger openings use double door design or the BAUCO XL or BAUCO Plus II.)

Access Panel Size/ Clear Opening		Weight	
Inch	mm	lbs-1/2"	lbs-5/8"
8 x 8"	203 x 203mm	2.5	2.9
10 x 10"	254 x 254mm	3.1	3.8
12 x 12"	305 x 305mm	3.8	4.7
14 x 14"	356 x 356mm	4.5	5.8
16 x 16"	406 x 406mm	5.3	7
18 x 18"	457 x 457mm	6.2	8.3
20 x 20"	508 x 508mm	7.2	9.8
24 x 24"	610 x 610mm	9.4	12.9
24 x 36"	610 x 914mm	12.8	18.2

BUY DIRECT from BAUCO for best pricing and shortest lead time.

Size
____ " Width(X) x ____ " Length(Y)

Thickness
 1/2"
 5/8"

Application
 Wall
 Ceiling

Latch Options
 (Standard) Mechanical Touch Latch
 Slotted Cam
 Torx Cam
 Keyed Lock

Inlay Options
 (Standard) Drywall
 Acoustic Board
 Plaster Board (to bond with plaster veneer)
 Plywood
 Double layer drywall

Time Saving Option
 BAUCO Paint-ready (Factory-primed door leaf. Ready to paint.)

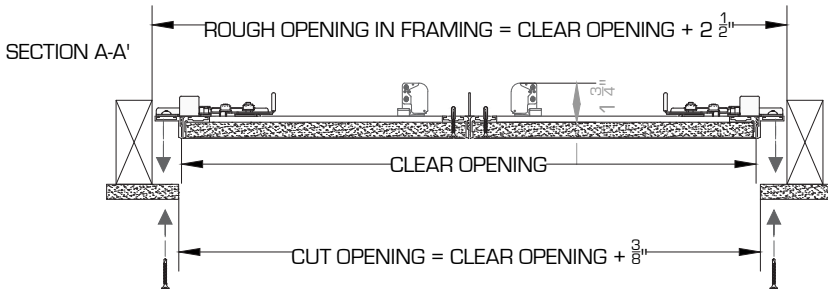
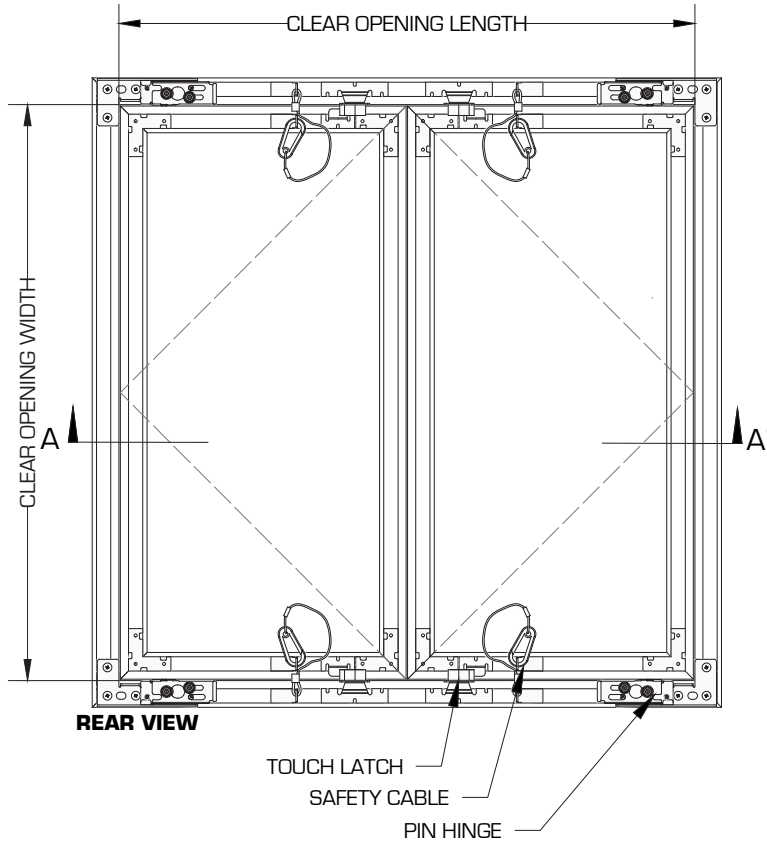
Project: _____

Client: _____

Approved by: _____

Date: _____





STANDARD FEATURES

- Rear-mount frame
- For openings in 1/2" (12.7 mm) or 5/8" (15.9 mm) drywall and ceiling
- Concealed aluminum frame, hardware and mechanical touch latch
- Factory installed moisture/ mold resistant drywall inlay
- Frame acts as finishing bead
- 1/16" perimeter gap
- Virtually invisible continuous finish
- EPDM rubber gasket
- Good sound control with seal and mass of drywall inlay
- Fully removable door leaf with clip action hinge release
- Steel single pivot pin hinge and safety cable

Standard Sizes

(Custom sizes from 8 x 8" to maximum 24 x 36". For larger openings use double door design or the BAUCO XL or BAUCO Plus II.)

Access Panel Size/ Clear Opening		Weight	
Inch	mm	lbs-1/2"	lbs-5/8"
8 x 8"	203 x 203mm	2.5	2.9
10 x 10"	254 x 254mm	3.1	3.8
12 x 12"	305 x 305mm	3.8	4.7
14 x 14"	356 x 356mm	4.5	5.8
16 x 16"	406 x 406mm	5.3	7
18 x 18"	457 x 457mm	6.2	8.3
20 x 20"	508 x 508mm	7.2	9.8
24 x 24"	610 x 610mm	9.4	12.9
24 x 36"	610 x 914mm	12.8	18.2

BUY DIRECT from BAUCO for best pricing and shortest lead time.

Size
_____ " Width(X) x _____ " Length(Y)

Thickness
 1/2"
 5/8"

Application
 Wall
 Ceiling

Latch Options
 (Standard) Mechanical Touch Latch
 Slotted Cam
 Torx Cam
 Keyed Lock

Inlay Options
 (Standard) Drywall
 Acoustic Board
 Plaster Board (to bond with plaster veneer)
 Plywood
 Double layer drywall

Time Saving Option
 BAUCO Paint-ready (Factory-primed door leaf. Ready to paint.)

Project: _____
 Client: _____
 Approved by: _____
 Date: _____



BAUCO® Plus

Installation Instructions

Watch our installation video on  YouTube



SCAN ME

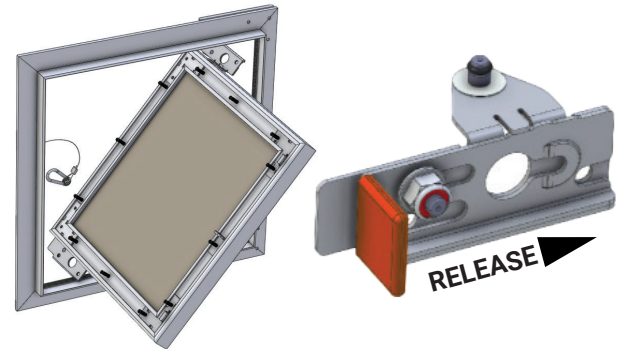
Introduction & Key Concepts - Outer Frame and Door Leaf

The **CLEAR OPENING** dimensions (clear opening in the outer frame) are used to determine the **CUT OPENING** (opening in the drywall) and the minimum **ROUGH FRAMED OPENING** (space of framing members).

The number group following the first 4 digits in the model number is the **CLEAR OPENING**. Ex: access panel with the Model Number 20-58-C-12/12 has a **12"x12"** **CLEAR OPENING**.

For trouble-free installation observe the following:

- 1 Follow the fastener placement guide and maximum 4" screw pattern.
- 2 The outer frame must be attached to the drywall square and straight.
- 3 Surrounding drywall must be rigid and flat.
- 4 Sand filler to the frame finishing edge. **DO NOT OVERFILL**.



Operation and door leaf removal

The access panel is opened by pressing on the latch side of the door leaf causing the latches to spring open. To remove the door leaf (with the access panel open) locate the two red hinge tabs and slide them towards the hinge. This will release the door leaf allowing it to be angled out of the opening. To reattach the door leaf, align the hinges with the guide tabs on the outer frame. Pull the hinge firmly into place and secure it by sliding the red hinge tab towards the center of the access panel.

Standard Installation Method – Outer Frame located after drywall

The framing members need to be positioned around the intended cut opening in the drywall to allow space for the access panel outer frame.

After drywall is installed the cut opening is made leaving a drywall lip inside the rough framed opening as shown. The access panel outer frame is then angled through the opening, positioned against the back of the drywall, and secured as shown.

Alternative methods for locating the outer frame, as well as a screw layout guide are on the next page.

Size of the **CUT OPENING** in drywall.

The **CUT OPENING** (drywall opening size) is the **CLEAR OPENING + 3/8"**

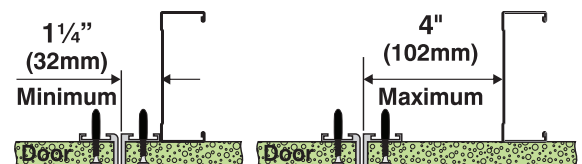
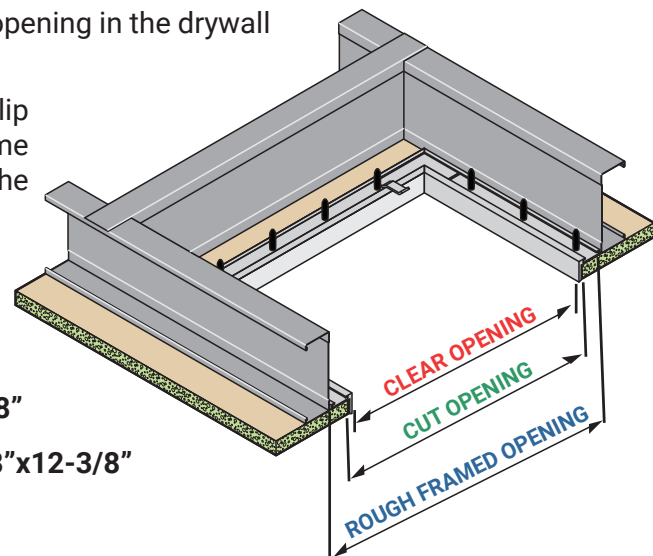
EX: A Model 20-58-C-12/12 with a **12"x12"** panel size needs a **12-3/8"x12-3/8"** cut opening in the drywall.

Size of the **ROUGH FRAMED OPENING**

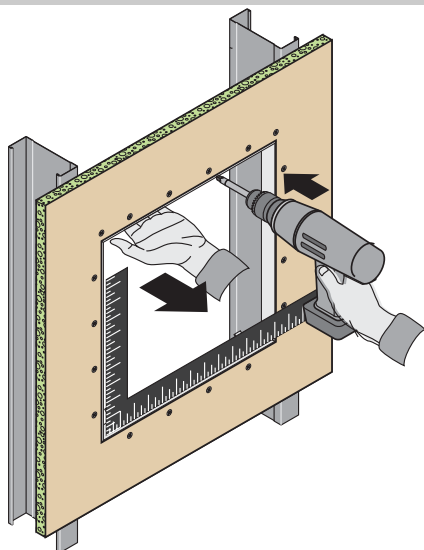
The **ROUGH FRAMED OPENING** is between **2-1/2"** and **8"** larger than the **CLEAR OPENING**.

The access panel does not need to be centered relative to the framing however must be within **4"** and at least **1-1/4"** from surrounding framing.

EX: For Model 20-58-C-12/12 with a **12"x12"** door size, the minimum **ROUGH FRAMED OPENING** needs a **14-1/2"** with **1-1/4"** on each side. The maximum spacing is **20"** with **4"** on either side of the **CLEAR OPENING**.

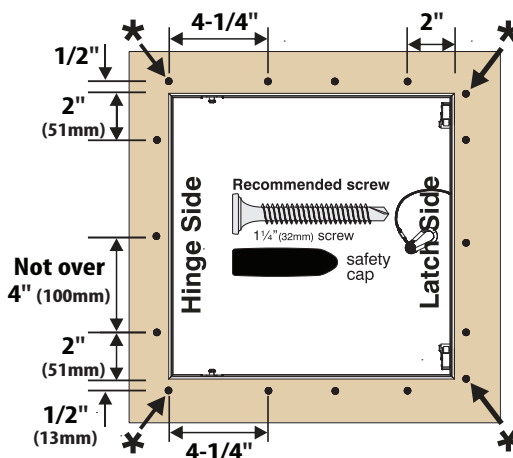


Frame Installation and Panel Finishing



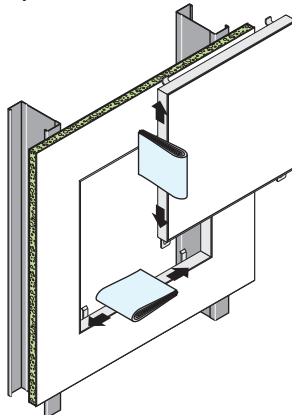
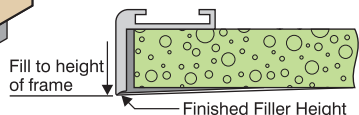
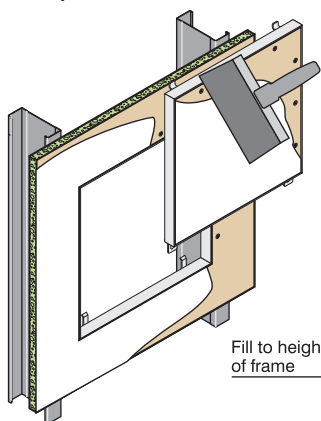
The outer frame mounts to the back of the drywall and is attached with self-drilling screws through the face of the drywall. Hold the frame securely in place while screwing.

Important fastener placement:

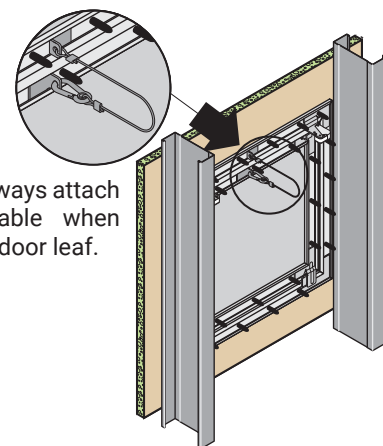


Extra screws must be fitted in line with the edge of the frame at the latch and hinge sides to secure hardware. Refer to the diagram shown for ideal screw placement.

Insert the door leaf and test for smooth operation without binding. Remove it and finish the drywall around the outer frame, using the raised edge as a guide. Apply a setting compound for the first coat and sand until the frame is flush with the surface. Finish the door leaf similarly, cleaning off any excess mud or dust before reinserting it. You can paint the panel in place, but avoid excess paint bridging the gaps around it.



NOTE: Always attach safety cable when inserting door leaf.



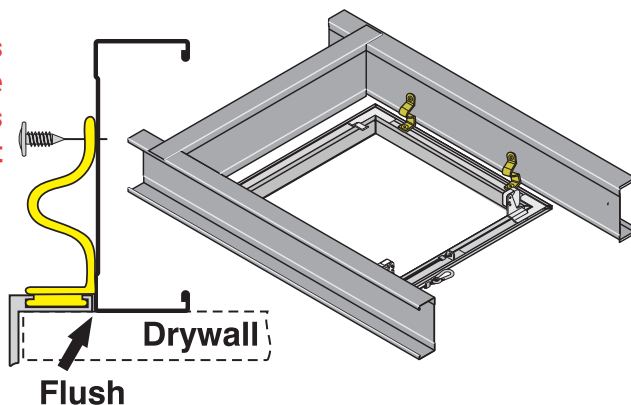
Alternative Installation Methods

A Before Drywall Installation

The panel outer frame can be hung in the rough framed opening before the drywall is in place by using Temporary Frame Hangers. Temporary Frame Hangers twist into the outer frame and are then attached to surrounding framework.

These are temporary hangers only for roughly locating the frame during boarding. This is not a permanent attachment system.

After the drywall is in place, the frame MUST be secured to drywall following the fastener placement above.



OR

B During Drywall Installation

The access panel outer frame can be located resting on the back of the drywall as the drywall is being installed. If possible, avoid putting joints at the corners. **The frame must be attached as shown above.**

