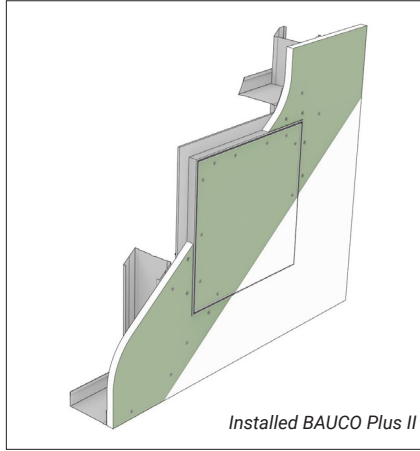
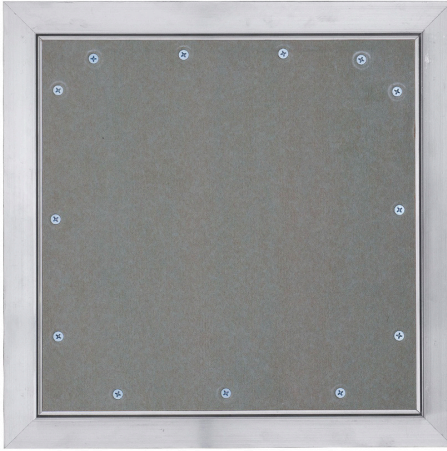


BAUCO Plus II

Drywall Access Panel with rear-mount frame

PRODUCT INFORMATION



APPLICATIONS

- Access openings in 1/2" (12.7 mm) or 5/8" (15.9 mm) drywall walls and ceiling
- Areas where cleanest finish possible required
- Standard and custom sizing and other customizations
- Wide variety of surface finishes such as paint, wallpaper or facing materials such as tile and millwork (by others)
- Areas with sound transmission concerns
- Great for mechanical, HVAC, fan coil, and electrical access
- **Non-fire rated assemblies**

DESCRIPTION

- Rear-mount frame
- Virtually invisible finishing with concealed frame, hardware and 1/16" perimeter gap
- Frame acts as finishing bead
- Factory installed moisture and mold-resistant drywall inlay
- Maintains STC of the assembly with air tight seal and mass of drywall inlay
- Factory installed drywall inlay
- Fully removable door leaf
- Fixed steel pin hinge and safety cable

SPECIFICATIONS

Frame: 6063-T6 aluminum frame with galvanized steel connectors and hardware

Door leaf: 6063-T6 aluminum frame and moisture and mold resistant drywall inlay

Latch: Concealed mechanical touch latch

Hinge: 14 gauge galvanized steel free pivot hinge

Gasket: EPDM rubber perimeter gasket

Standard Latch

- Mechanical touch latch

Latch Options

- Keyed lock
- Cam latch (slotted or torx head)

Standard Finish

- Unfinished inlay installed Ready to receive a wide range of surface treatments on site

Finish Option

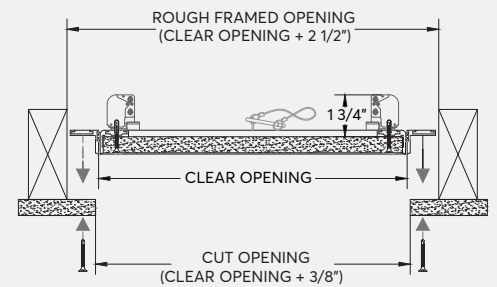
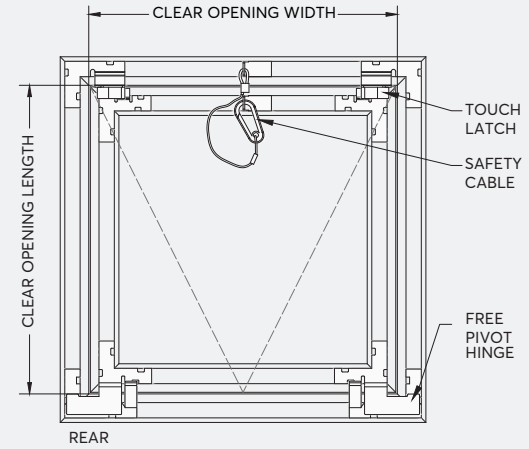
- BAUCO Paint-ready. Factory-primed door leaf. Ready to paint.

Standard Inlay

- Moisture and mold-resistant drywall

Inlay Options

- Acoustic Board (for enhanced STC)
- Tile Backer
- Plaster Board (to bond with plaster veneer)
- Double Layer Drywall
- Plywood



Standard Sizes

(Custom sizes available upon request)

Access Panel Size/ Clear Opening		Weight	
Inch	mm	lbs-1/2"	lbs-5/8"
6 x 6"	152 x 152mm	1.9	2.1
8 x 8"	203 x 203mm	2.4	2.8
10 x 10"	254 x 254mm	3	3.7
12 x 12"	305 x 305mm	3.7	4.6
14 x 14"	356 x 356mm	4.4	5.7
16 x 16"	406 x 406mm	5.2	6.9
18 x 18"	457 x 457mm	6.1	8.2
20 x 20"	508 x 508mm	7.1	9.7
24 x 24"	610 x 610mm	9.3	12.8
24 x 36"	610 x 914mm	12.7	18.1

Cut Opening in Drywall = Clear OPENING Size + 3/8"
Rough Framed Opening = Clear OPENING Size + 2 1/2"

For detail, see submittal sheet.

Wide range of custom sizes and custom options available. Call or email to connect.



BUY DIRECT from BAUCO for best pricing and shortest lead time.

Quotes within 24 hours. Average custom production time = 4 days. Product specialists standing by for consultation and orders.

1.877.592.0033 | info@bauco.com | bauco.com
 834 Devonshire Road, Victoria, BC, Canada V9A 4T4